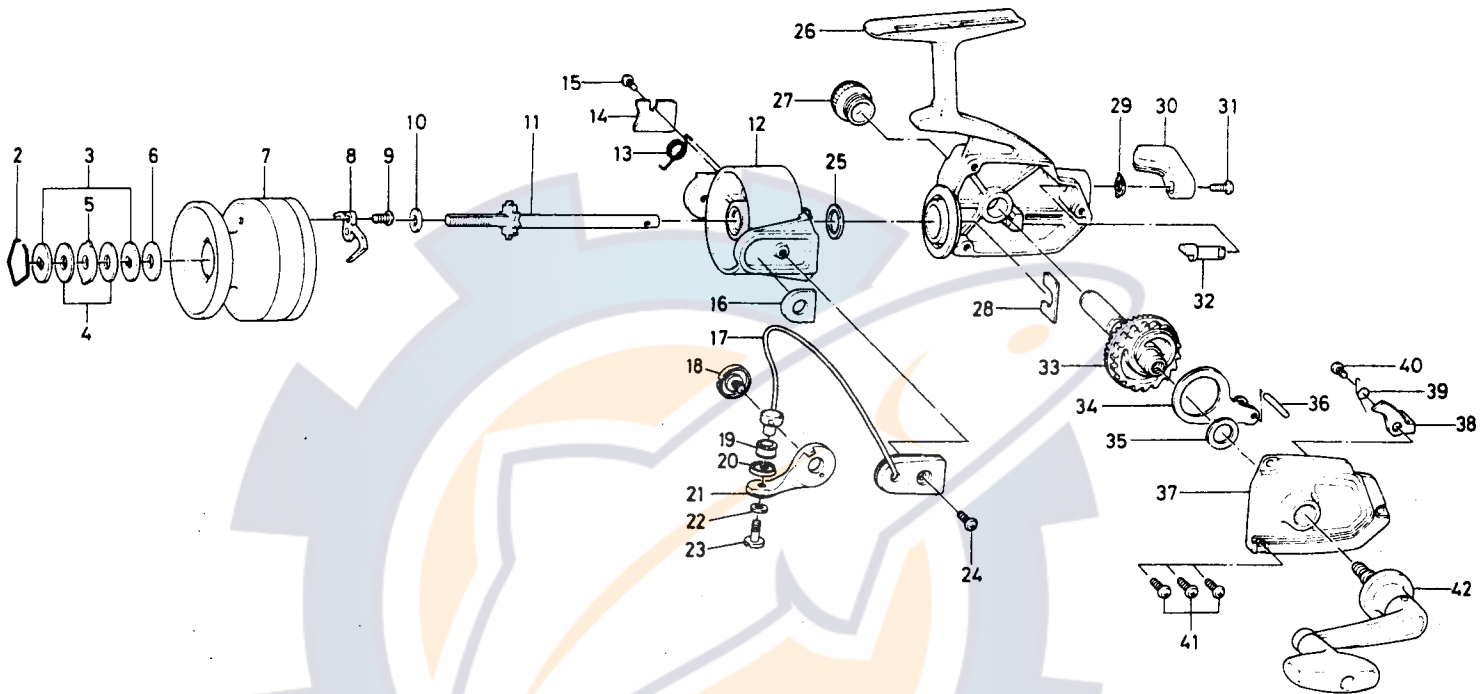


SPINNING REEL A-130RL



KEY NO. 2 ~ 9
6-733-9701

SPOOL ASSEMBLY

Key No.	Parts No.	Parts Name
1	6-740-2702	Drag knob
2	6-170-4801	Drag washer retainer
3	6-373-2502	Drag D washer
4	6-374-2901	Disc washer
5	6-375-5301	Drag A washer
6	6-370-6901	Drag washer A
7	6-733-9801	Spool
8	6-030-4511	Spool click claw
9	6-351-7701	Spool click claw screw
10	6-374-9002	Spool washer
11	6-711-3301	Main shaft
12	6-736-1302	Rotor
13	6-144-4912	Bail spring
14	6-634-1501	Bail spring cover
15	6-351-1801	Bail spring cover screw
16	6-210-3701	Balancer
17	6-725-6011	Bail
18	6-362-3411	Arm lever screw
19	6-250-4221	Line roller
20	6-501-1601	Roller collar
21	6-231-3401	Arm lever

Key No.	Parts No.	Parts Name
22	6-375-1001	Bail washer
23	6-353-1811	Bail screw
24	6-351-6601	Bail holder screw
25	6-372-8600	Rotor washer
26	6-701-2302	Body
27	6-363-7401	Handle screw cap
28	6-632-6601	Pinion retainer
29	6-150-1751	Anti-reverse lever washer
30	6-541-3311	Anti-reverse lever
31	6-351-8301	Anti-reverse lever screw
32	6-460-7041	Anti-reverse cam
33	6-413-8301	Drive gear
34	6-481-2301	Oscillating slider
35	6-371-2800	Drive gear washer
36	6-121-1211	Oscillating slider pin
37	6-706-7404	Body cover
38	6-111-4501	Anti-reverse claw
39	6-144-8211	Anti-reverse claw spring
40	6-351-7701	Anti-reverse claw screw
41	6-351-8501	Body cover screw
42	6-747-1301	Handle